

Asian Mycological Congress 2019

Prospectus

Exhibition

Advertisement

Assent / Donation

Sponsoring Travel Award and Presentation Award

Sponsored session

Notes

Date : 1 (TUE) to 4 (FRI) OCTOBER, 2019

Place: Mie Center for the Arts, Tsu, JAPAN

The Mycological Society of Japan

Auspices

Federation of Microbiological Societies of Japan

Japan Society for Bioscience, Biotechnology, and Agrochemistry

Japanese Society of Microbial Ecology

The Phytopathological Society of Japan

The Society for Biotechnology, Japan

Welcome to Asian Mycological Congress 2019

The Mycological Society of Japan (MSJ) is happy to sponsor Asian Mycological Congress (AMC2019) to be held in Mie, Japan in October, 2019. We are going to cover a wide range of mycological areas of updated taxonomy, important ecology, cutting edge technologies and applications in addition to fields specific to Asian countries.

Mie is one of the most spiritual regions of Japan with full of picturesque nature and old history worth to visit. In addition, the location will offer you various opportunities to enjoy attractive Japanese seafood from Ise and world-famous wagyu from Matsusaka.

Once you come to us, you know Mie. Please prepare for the congress and traveling in Mie.

A handwritten signature in black ink, appearing to be 'Toru Okuda', written in a cursive style.

Chair Toru Okuda (奥田 徹)

Skelton of Congress

Style of Congress: Asian Mycological Congress 2019 (2019)

Date : 1 (TUE) to 4 (FRI) OCTOBER, 2019

Place: Mie Center for the Arts, 1234 Koudzubeta, Tsu, JAPAN

Host organization: The Mycological Society of Japan

Participants (estimated): 400

Program (tentative): 3 plenary lectures, 6 Keynote lectures, 36 session, 30 SIG session, 1 satellite symposium, 3 poster presentation session, posters, 2 workshops, excursion.

	Morning Session	After noon Session	Evening Session
Oct. 1st (Tue)	Registration, Satellite symposium	Resistration, Poster hanging	SIG, Poster mixer
Oct. 2nd (Wed)	Opening Ceremony, Plenary/Keynote lectures, Session,	Session, Poster presentation	SIG, Poster mixer
Oct. 3rd (Thr)	Plenary lecture, Session,	Keynote lectures, Sessions, Poster presentation, excursion (pay-based)	SIG
Oct. 4th (Fri)	Keynote lectures, Sessions,	Symposium, Session, Closing ceremony	Banquet

- 350 presentations (ca 200 oral presentation + 150 posters
- Two min talk in the poster short presentation session (Poster Flash Presentation) is required to all poster presentation.

Contact: AMC2019 organizing committee

Chiharu Nakashima, Ph.D.

Lab.of Plant Pathology, Graduate school of Bioresources, Mie University

Kurima-machiya 1577, Tsu, Mie 514-5507, Japan.

TEL: +81-59-231-9638

amc2019officer@mycology-jp.org

AMC 2019 Exhibition

1. Venue: Gallery II, Mie Center for the Arts

2. Schedule (tentative):

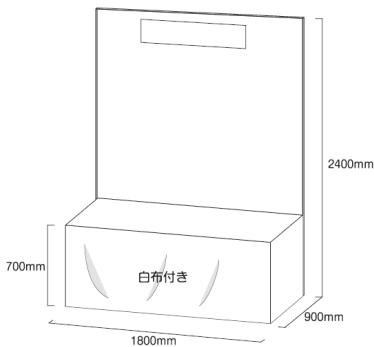
2019 Sept. 30	9:00–15:00	setting up stalls
Oct. 1st	12:00–17:00	installation by exhibitor, exhibition
Oct. 2nd–3rd	9:00–20:00	exhibition
Oct. 4th	9:00–11:00	exhibition
	11:00–12:00	clearance by exhibitor
	12:00–17:00	removal

3. Stall

Space: 180mm(W) x 900mm (D)

With a back panel (240mm(H)) and a Label

We can arrange the space.



4. Fee

Companies and Commercial Journal Publishers: USD1,500 (JPY162,000)/stall

Dedicated desk for AMA members: USD200 (JPY21,600)/stall

5. subscription (Dead line date: 2019 September 15 [Fri.])

Contact: amc2019officer@mycology-jp.org

6. Payment methods (Payment: Dead line date is 2019 September 15 [Fri.])

Credit cards or Bank Transfer

7. Layout

The arrangement of Layout should leave entirely up to the organization committee.

* Custody: we will not take any responsibility for any damage caused to the goods during exhibition.

Advertisement on the Program book

1. Format: A4, color print, 500 copies
2. Distribution: Participants
3. Fee

preferred position /pages		unit price	format
inside cover	1 page	¥165,000.-	black and white
inside back cover	1 page	¥132,000.-	black and white
Back matter	1 page	¥88,000.-	black and white
Back matter	1/2 page	¥55,000.-	black and white

4. subscription (Dead line date: 2019 August 17)

Contact: amc2019officer@mycology-jp.org

5. Art work (Dead line date: 2019 August 20)

* Art works should be camera-ready copy (Make sure you use uniform lettering and sizing of your original artwork.)

* PDF (350dpi and more) file should be sent to the office of organizing committee, AMC2019.

6. Payment methods (Payment: Dead line date is 2019 August 17)

Credit cards or Bank Transfer

7. Notes

* The arrangement of layout should leave entirely up to the organization committee.

* The materials offensive to public order, morals and political matters will be rejected.

8. Date of publication: 2019 September

Banner Advertisement on the WEB

1. Address on the web: Top page of the web site for AMC2019 (<http://amcfungi2019.com>)
2. Posting period: from the acceptance of art work (as needed) to the end of the meeting
3. Fee: USD1,000.
4. Size of Banner: 120 x 60 pixels
5. subscription

Contact: amc2019officer@mycology-jp.org

6. Art work

* Art works should be prepared by customer (Make sure you use uniform lettering and sizing of your original artwork.)

* TIFF or PNG file should be sent to the office of organizing committee, AMC2019.

[amc2019officer@mycology-jp.org]

7. Payment methods

Credit cards or Bank Transfer

8. Notes

- * The arrangement of layout should leave entirely up to the organization committee.
- * The materials offensive to public order, morals and political matters will be rejected.
- * The Banner will be appeared on a page of advertisements within the program book.

Sponsorship / Assent / Donation

Make a contribution to the AMC2019 with supporting money.

1. Subscription

Contact to the organizing committee of AMC2019

amc2019officer@mycology-jp.org

2. Payment methods

Credit cards or Bank Transfer

* Donors will be received the letter of appreciation. And names will be appeared on the web page and the program book.

Contribute to our meeting with your products.

Your products will be distributed to or served in the conference

1. Subscription

Contact to the organizing committee of AMC2019

amc2019officer@mycology-jp.org

* Donors will be received the letter of appreciation. And names will be appeared on the web page and the program book.

Sponsoring Travel Award and Presentation Awards

It will be awarded for young mycologist (under 35 yrs old) including Post-doctoral researchers with the certificate and cash prize.

1. Address on the web: Top page of the web site for AMC2019 (<http://amcfungi2019.com>)

2. Fee: USD500 (USD200 for 1 students or pos-doc x 2 person & USD100 for commission charge).

3. Conditions:

a) Travel Awards: on the certificate and a web page, your name name will be indicated as “Travel awards by ●●●●”. You CAN set conditions, i.e. gender, research field, nationality.

b) Presentation Awards: on the certificate and web page, your name name will be indicated as “Presentation awards by ●●●●”. You CAN set conditions (We will show the abstracts before the congress)

4. subscription

Use the form attached in this document

Contact: amc2019officer@mycology-jp.org

7. Payment methods

Credit cards or Bank Transfer

AMC2019 Sponsoring the Session

You can join as a sponsor of a session.

1. Address on the web: Top page of the web site for AMC2019 (<http://amcfungi2019.com>)

2. Fee: USD1,500 (1.5hr/session).

3. Conditions:

a) You will sponsor of a session held in a slot of prime-time (Morning sessions, 4th Oct.).

b) Your name will indicate on the program and web page as “Sponsored Session by ●●●●”.

c) You can choose the session from the list.

4. subscription (dead line date: 2019 July 31)

Use the form attached in this document

Contact: amc2019officer@mycology-jp.org

7. Payment methods

Credit cards or Bank Transfer

Notes

We can arrange the conditions.

If you have interesting for multiple things, we can provide additional services.

Please contact us.

Contact: amc2019officer@mycology-jp.org